

2260 Ultrasonic Level Transmitters



The type 2260 is a rugged, high performance ultrasonic level measurement transmitter, having transducer and processing electronics and a display/programming unit incorporated in one single housing.

All type 2260 Level Transmitters are using established high end pulse echo transducers, which provide narrow beam angles and reliable measurement ranges up to a distance of 15 meters.

For small, stand alone tanks the transmitter provides a simple 2-wire 4 to 20 mA output, with additional power relay contacts. It can be programmed using push buttons and the large, graphic display. For large and/or multiple tank applications versions with HART interface are recommended, communicating directly with a panel mount controller or PLC. The HART protocol can easily be used for programming these versions.

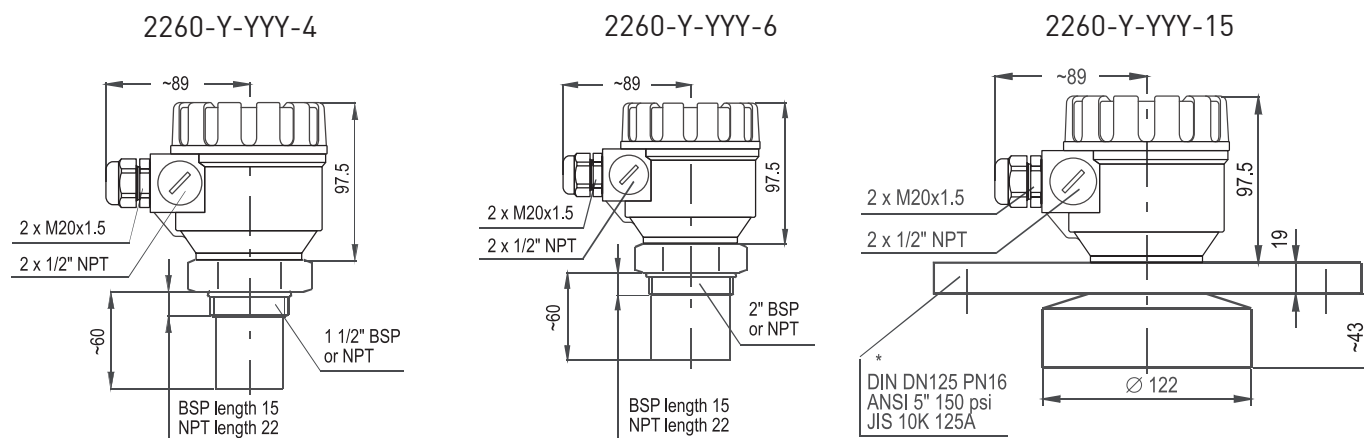
Features

- 2-wire compact transmitters
- Non-contact level metering
- Narrow 5° beam angle
- Fully temperature compensated electronics
- Outstanding signal processing software providing highly accurate measuring results
- PP or PVDF sensor body provides best chemical resistance
- Quick-set menu for efficient installation
- Plug-in keypad and display
- Switching relay for high / low alarm
- 4 to 20 mA / HART interface
- Secondary lightning protection

CE RoHS

Dimensions (mm)

2-wire level transmitters

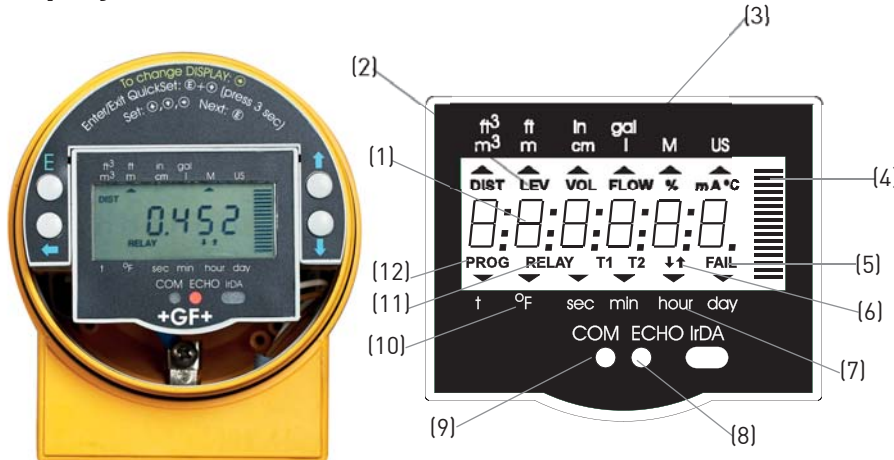


Specifications

| General | | | |
|-----------------------------|--|-----------------------------|-----------------------------|
| Type | 2260-Y-YYY-4 | 2260-Y-YYY-6 | 2260-Y-YYY-15 |
| Range | 0.2 to 4 m / 0.65 to 13 ft | 0.25 to 6 m / 0.82 to 20 ft | 0.45 to 15 m / 1.5 to 49 ft |
| Total Beam Angle | 6° | 5° | 5° |
| Measuring Frequency | 80 kHz | 80 kHz | 40 kHz |
| Accuracy * | ± (0.2 % of measured distance plus 0.05 % of range) | | |
| Resolution | <2 m: 1 mm, 2 to 5 m, 2 mm, 5 to 10 m: 5 mm, >10 m: 10 mm | | |
| Environmental | | | |
| Process Temperature | -30 °C to +90 °C | | |
| Ambient Temperature | -25 °C to +70 °C | | |
| Process Pressure (absolute) | 0.03 to 0.3 MPa (0.3 to 3 bar) | | |
| Enclosure | | | |
| Enclosure Material | | | |
| | Sensor Body | PP or PVDF | |
| | Housing | PBT | |
| Ingress Protection | | | |
| | Sensor | IP 68, NEMA 6P | |
| | Housing | IP 67, NEMA 6P | |
| Process Connection | 1 1/2" BSP / NPT | 2" BSP / NPT | DN 125 / 5 inch flange |
| Sealing | | | |
| | PP sensor | EPDM | |
| | PVDF sensor | FPM (Viton) | |
| Electrical | | | |
| Outputs | 2-wire 4–20 mA , max. 600 Ohm; HART interface, Rt >= 250 Ohm Ω | | |
| Relay | (SPDT) 250V AC, 3A AC1 | | |
| Power Supply | 12 to 36 V DC / 44 to 800 mW | | |
| Power Consumption | DC 3.6 W, AC 4 VA | | |
| Connection | 2 x M20x1,5 plastic cable gland: Cable: Ø6 ... 12 mm | | |
| Standards and Approvals | | | |
| General Approvals | CE, RoHS | | |

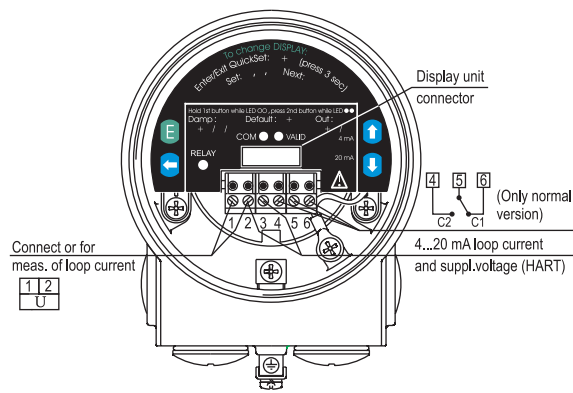
* Under optimal circumstances of reflection and stabilized transducer temperature

Display Unit

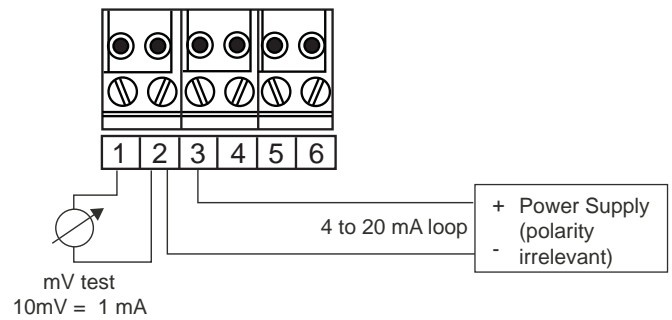


- (1) Primary measured value
- (2) Measurement mode
- (3) Measurement unit / Standard
- (4) Bar graph trend indication
- (5) Measurement error indication
- (6) Liquid movement direction
- (7) Time unit
- (8) Presence of valid echo
- (9) HART communication
- (10) Temperature unit
- (11) Relay status indication
- (12) Programming mode indication

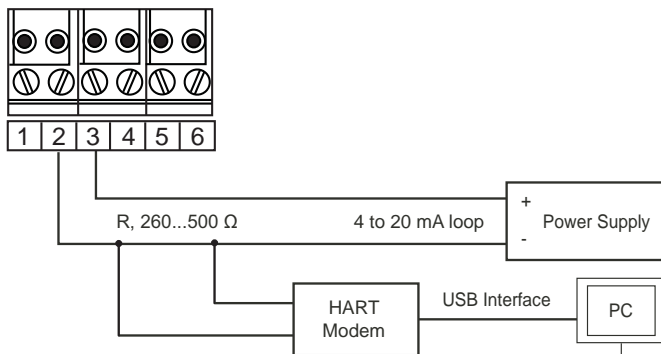
2260 Transmitter Terminals



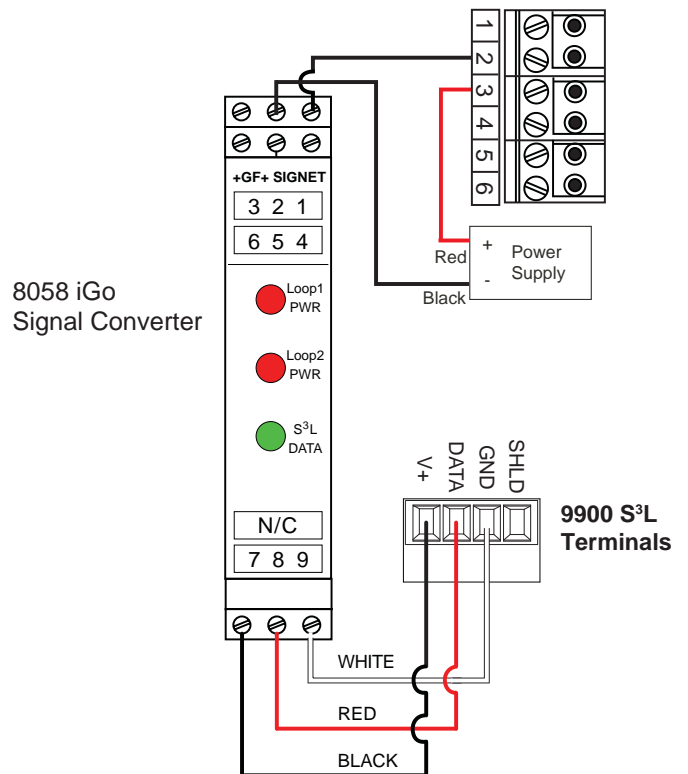
4 to 20 mA Loop Wiring



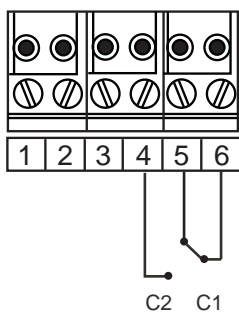
HART Interface Wiring



Wiring to 9900 Universal Transmitter



Relay Output Wiring



Ordering Information

| Mfr. Part No | Code | Description |
|--|--------------------|---|
| Versions with BSP thread / DIN flange | | |
| 2260-P-0DB-4 | 159 300 090 | Range 4 m, PP body, 4 to 20 mA 2-wire, BSP thread |
| 2260-P-2DB-4 | 159 300 091 | Range 4 m, PP body, 4 to 20 mA 2-wire/relay/HART, BSP thread |
| 2260-P-0DB-6 | 159 300 092 | Range 6 m, PP body, 4 to 20 mA 2-wire, BSP thread |
| 2260-P-2DB-6 | 159 300 093 | Range 6 m, PP body, 4 to 20 mA 2-wire/relay/HART, BSP thread |
| 2260-P-0DF-15 | 159 300 094 | Range 15 m, PP body, 4 to 20 mA 2-wire, DIN Flange DN125 |
| 2260-P-2DF-15 | 159 300 095 | Range 15 m, PP body, 4 to 20 mA 2-wire/relay/HART, DIN Flange DN125 |
| 2260-V-0DB-4 | 159 300 101 | Range 4 m, PVDF body, 4 to 20 mA 2-wire, BSP thread |
| 2260-V-2DB-4 | 159 300 102 | Range 4 m, PVDF body, 4 to 20 mA 2-wire/relay /HART, BSP thread |
| 2260-V-0DB-6 | 159 300 103 | Range 6 m, PVDF body, 4 to 20 mA 2-wire, BSP thread |
| 2260-V-2DB-6 | 159 300 104 | Range 6 m, PVDF body, 4 to 20 mA 2-wire/relay /HART, BSP thread |
| 2260-V-0DF-15 | 159 300 105 | Range 15 m, PVDF body, 4 to 20 mA 2-wire, DIN Flange DN125 |
| 2260-V-2DF-15 | 159 300 106 | Range 15 m, PVDF body, 4 to 20 mA 2-wire/relay/HART, DIN Flange DN125 |

Ordering Information

| Mfr. Part No | Code | Description |
|---|--------------------|---|
| Versions with NPT thread / ANSI flange | | |
| 2260-P-0DN-4 | 159 300 120 | Range 4 m, PP body, 4 to 20 mA 2-wire, NPT thread |
| 2260-P-2DN-4 | 159 300 121 | Range 4 m, PP body, 4 to 20 mA 2-wire/relay/HART, NPT thread |
| 2260-P-0DN-6 | 159 300 122 | Range 6 m, PP body, 4 to 20 mA 2-wire, NPT thread |
| 2260-P-2DN-6 | 159 300 123 | Range 6 m, PP body, 4 to 20 mA 2-wire/relay/HART, NPT thread |
| 2260-P-0DA-15 | 159 300 124 | Range 15 m, PP body, 4 to 20 mA 2-wire, ANSI Flange 5 inch |
| 2260-P-2DA-15 | 159 300 125 | Range 15 m, PP body, 4 to 20 mA 2-wire/relay/HART, ANSI Flange 5 inch |
| 2260-V-0DN-4 | 159 300 131 | Range 4 m, PVDF body, 4 to 20 mA 2-wire, NPT thread |
| 2260-V-2DN-4 | 159 300 132 | Range 4 m, PVDF body, 4 to 20 mA 2-wire/relay/HART, NPT thread |
| 2260-V-0DN-6 | 159 300 133 | Range 6 m, PVDF body, 4 to 20 mA 2-wire, NPT thread |
| 2260-V-2DN-6 | 159 300 134 | Range 6 m, PVDF body, 4 to 20 mA 2-wire/relay/HART, NPT thread |
| 2260-V-0DA-15 | 159 300 135 | Range 15 m, PVDF body, 4 to 20 mA 2-wire, ANSI Flange 5 inch |
| 2260-V-2DA-15 | 159 300 136 | Range 15 m, PVDF body, 4 to 20 mA 2-wire/relay/HART, ANSI Flange 5 inch |